

Thermostats



Thermostats

The CAL thermostat range is a complete family of small format devices for basic heating or cooling applications and also includes indicators and timers for associated monitoring and control.

The units are easy to configure and use, have a large clear display with good visibility and a compact design that is fast to install.

The EDT defrost models have many features to ensure optimum control and performance of a refrigeration system such as compressor protection, defrost control, real time clock, communications and fast CAL-Key programming.

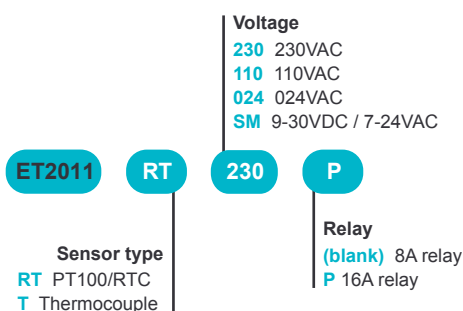
Digital Thermostats

- Heating or cooling applications
- Thermocouple or PT100 inputs
- 2 outputs for control and alarms
- 35 x 77mm format (29 x 71mm cutout)



ET2011

Input type	Thermocouple (J, K, T, S, R) or PT100	
Temperature range	PT100	-99.9 to 300.0°C (-99.9 to 543.0°F)
	PT100	-200 to 600°C (-328 to 1112°F)
	J T/C	0 to 600°C (32 to 1112°F)
	K T/C	0 to 1300°C (32 to 2372°F)
	T T/C	0 to 400°C (32 to 752°F)
	S & R T/C	0 to 1700°C (32 to 3092°F)
Control type	On/Off, PID	
Control strategy	Heat or cool control	
Number of relay outputs (8A)	1	
Number of SSR outputs	1	

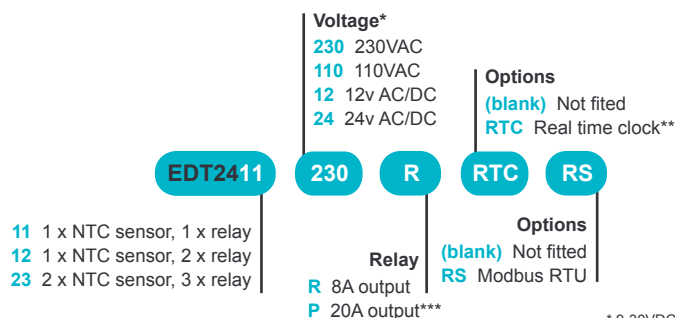


Defrost Thermostats

- Compressor, defrost and fan control
- Up to two NTC inputs for main and defrost temperature measurement
- Manual, timed and evaporator temperature defrost modes supported
- 35 x 77mm format (29 x 71mm cutout)
- CAL-Key for fast configuration
- Real-time clock option
- RS485 communications option



	EDT2411	EDT2412	EDT2423
Input type and number	NTC x 1	NTC x 1	NTC x 2
Temperature range	-60 to +150°C (-76 to +302°F)	-60 to +150°C (-76 to +302°F)	-60 to +150°C (-76 to +302°F)
Defrost function	Manual (key or DI)/ auto timed	Manual (key or DI)/ auto timed	Manual (key or DI)/ timed/ evaporator temp
Number of relay outputs (8A)	1	2	3
High current relay option - compressor output (20A)	•	•	
Defrost output		•	•
Fan output			•
Defrost sensor input			•
CAL-key flash memory programming	•	•	•
Real time clock option	•	•	•
RS485 Modbus communications option	•	•	•



* 9-30VDC, 7-24VAC version is also available as an extra cost option
** only available with 8A relay devices
*** not on EDT2423

NTC

Description

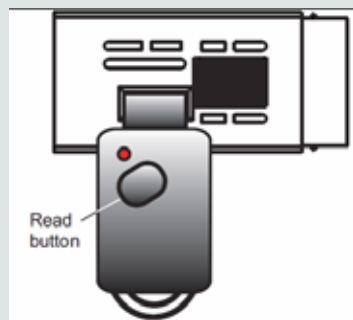
NTC-APS--1,5S	Air probe, maximum 150 °C, stainless steel shell, 1,5m silicone cable
NTC-LPS--1,5S	Liquid probe, maximum 150 °C, stainless steel shell, 1,5m silicone cable
NTC-APP--1,5P	Air probe, maximum 80 °C, plastic shell, 1,5m PVC cable
NTC-APT--1,5T	Air probe, maximum 105 °C, thermoplastic shell, 1,5m thermoplastic cable



CAL Key

Save time programming EDT thermostats with **CAL-Key**.

- Upload configuration to key for cloning settings to additional devices
- Powered or unpowered configuration, key has battery



Contact us

For more details on the full product range from West Control Solutions please visit www.West-CS.co.uk.

Telephone: +44 (0)1273 606271
Email: Enquiries@West-CS.com
Website: www.West-CS.co.uk



BR-CT-1-ENUK-1406